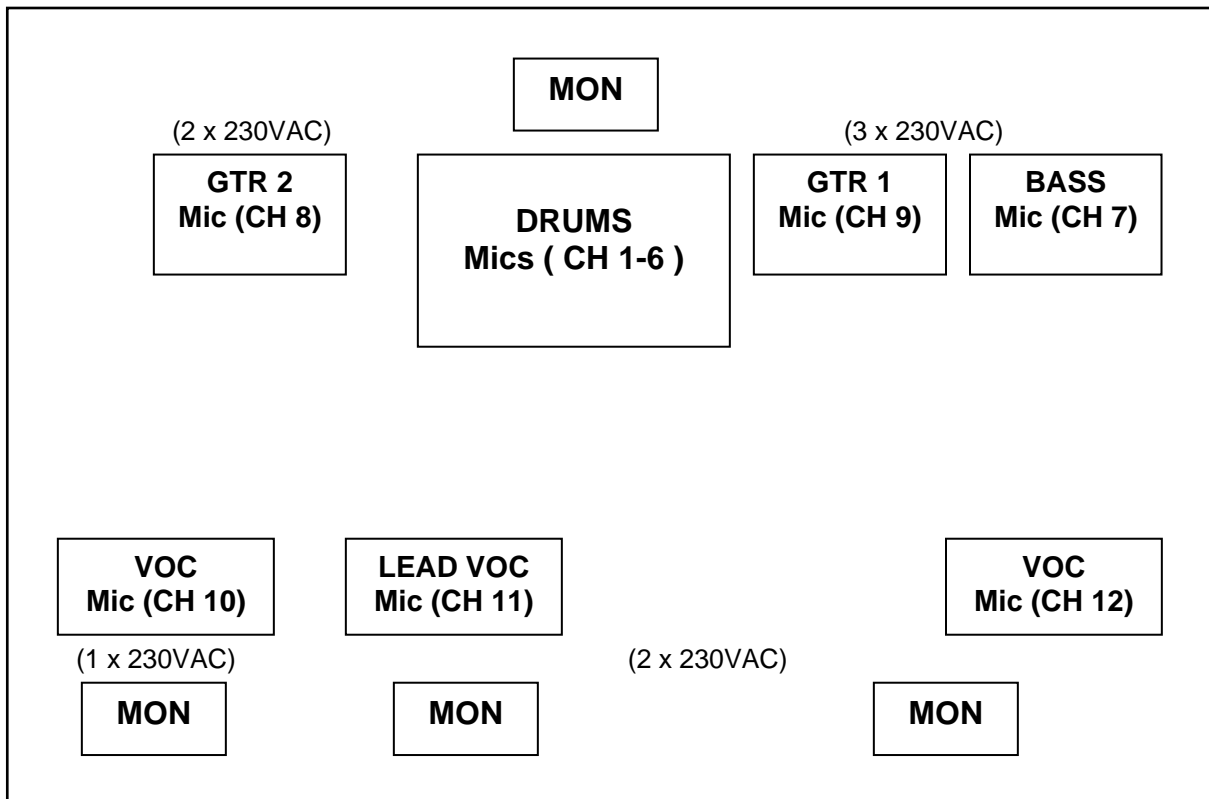




TECH RIDER



1. KICK (Beta52)
2. SNARE (SM57)
3. RACK TOM
4. FLOOR TOM
5. OH LEFT
6. OH RIGHT

7. BASS Wege (DI)
8. GTR 1 Misty (SM57)
9. GTR 2 Jay (SM57)
10. VOC Jay (SM58)
11. LEAD VOC (SM58)
12. VOC Wege (SM58)

This is an ideal setting for PSG. No need to follow it if not possible!

Contact:

Miika Salminen

miika.salminen@nitrofon.fi

+358408466687